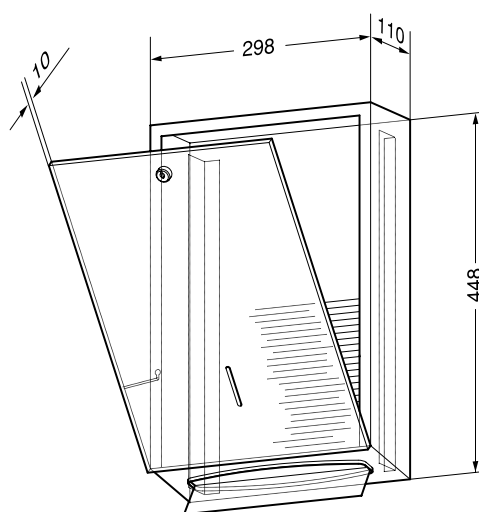


## Paper towel dispenser in stainless steel



- Full metal housing in robust, easy-to-clean stainless steel AISI 304, satin finished, all corners fully welded.
- Holds approx. 750 paper towels.
- Inspection slot to indicate refill level.
- Housing door swings down for refilling.
- Dispenser lockable with cylinder lock.
- Easy to clean due to optimum accessibility.
- Simple mounting: line up with tiles and fasten with 4 screws.
- Also available upon request in a polished finish or with other surfaces.

### Suggested text for specifications:

Paper towel dispenser in stainless steel AISI 304, for surface mounting, satin finished, lockable with cylinder lock.

Dimensions 298 x 448 x 120 mm; for approximately 750 paper towels; includes mounting components and one package of paper towels.

Article No. WP 111

